



## SLP-CUSTOM SOUND SHIELDS



### PRODUCT INFORMATION:

“Standard” sound shield (canopy) as supplied by most generator manufacturers | suppliers do not exceed a transmission loss value of 20 dB.

If you are aiming for comfort class 1 noise levels the “standard” sound shield is not sufficient enough to achieve your target especially in accommodation areas close to the engine room (due to direct air-borne noise transmission).

**Silent Line offers you Custom build sound shields in which we offer guaranteed transmission loss values up to 35 dB.**



### IMPORTANT:

Generator sets (diesel engine and alternator) produce air-borne noise which must be reduced by means of a sound shield as shown above. This will reduce the source noise (approx. 95 dB(A)) unto 70 dB(A) based on 25 dB TL of the sound shield.

The next very important step (important in combination with the sound shield) is to reduce structure-borne noise and vibrations. This needs to be done using additional elastic mountings underneath the sound shield (in between the sound shield and ship foundation).

This so called double flexible mounting system is extremely important in order to meet your comfort noise and vibration levels. High volume mounts, as shown below, are recommended in order to avoid a heavy sub-frame (50% of the generator weight)





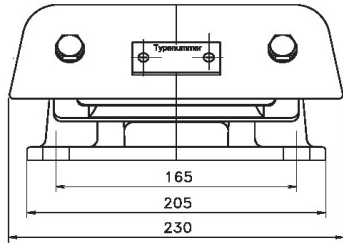
## 10-TM-2000

Max. 2000 kg - 16 mm - 4Hz

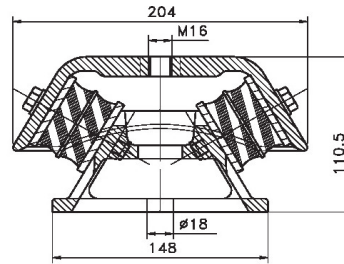
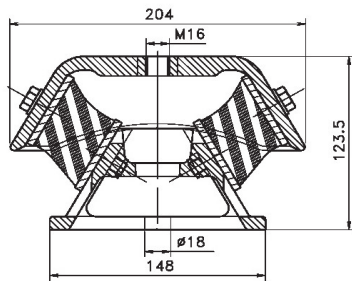


TM-Mountings are widely used for the suspension of rotating equipment like generator-sets, pump-units and cooling-machinery. These mountings are designed for loads from 3 kN to 20 kN and have natural frequencies of less than 4 Hz. The mountings have high deflection capabilities which gives 97% insulation against 1500 r.p.m. TM-Mountings have a long service life and can withstand shocks of 3 to 5 g without damage.

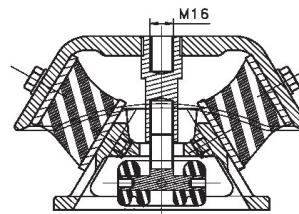
Applications: total-energy-units, diesel-generatorsets, pumpunits, cooling equipment, compressor-units etc.



Typenr. 10-TM-2000-H

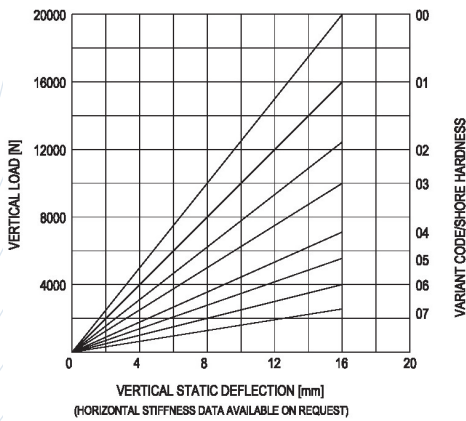


Typenr. 10-TM-2000-N

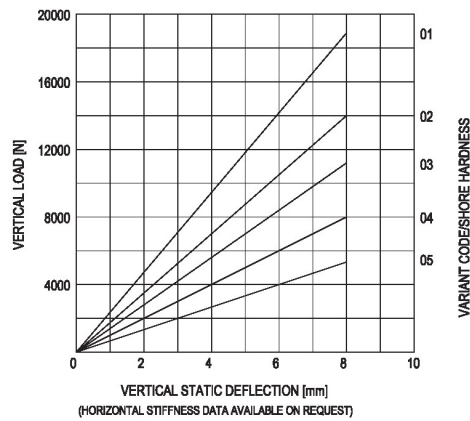


Typenr. 10-TM-2000-T

### LOAD CHARACTERISTICS 10-TM-2000-H



### LOAD CHARACTERISTICS 10-TM-2000-N

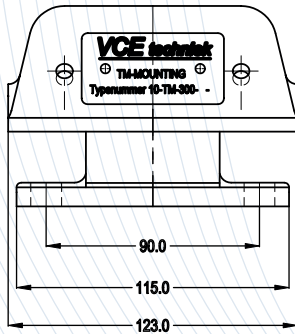




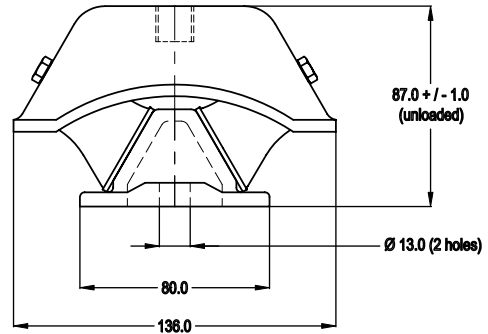
**10-TM-300H**



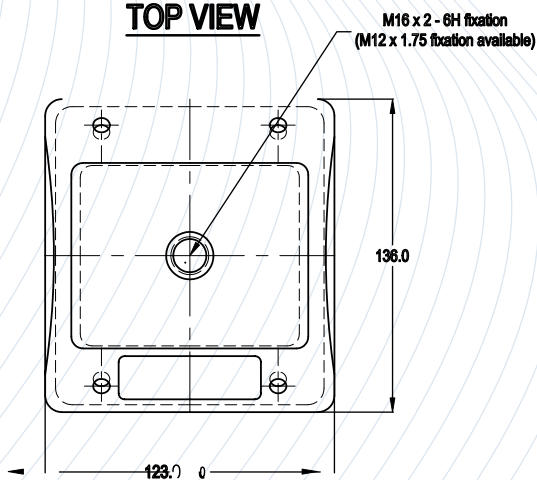
**SIDE VIEW**



**FRONT VIEW**



**TOP VIEW**



**LOAD CHARACTERISTICS 10-TM-2000-H-..**

