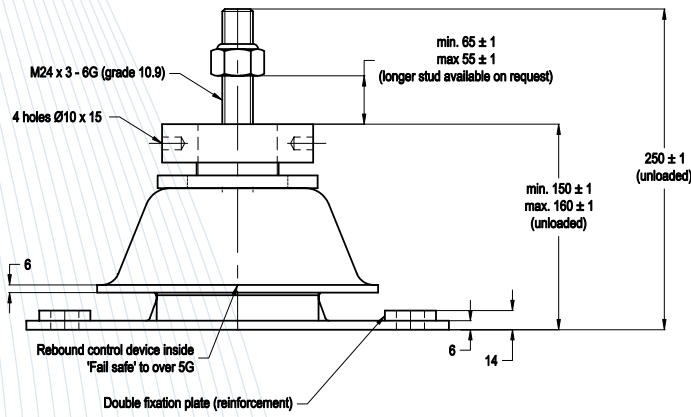


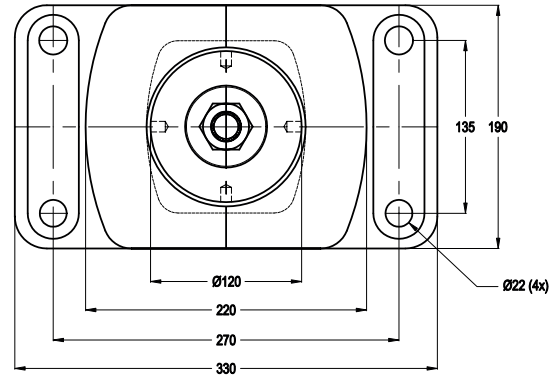


10-IM-2500-C

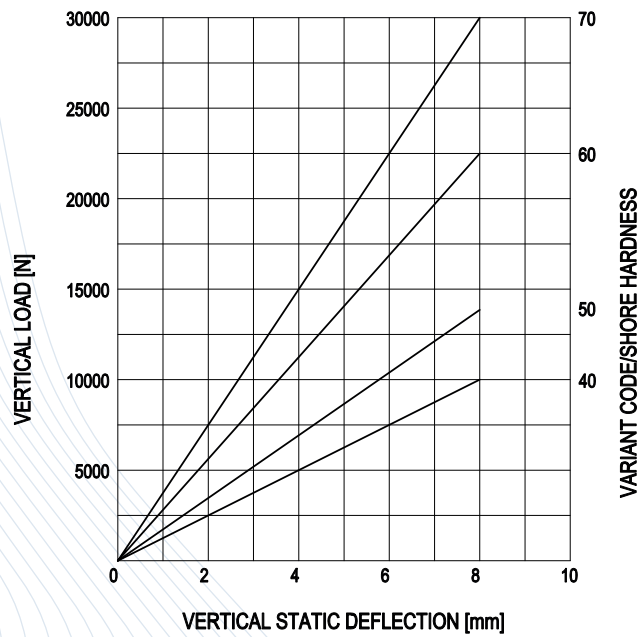
SIDEVIEW



TOPVIEW



LOAD CHARACTERISTICS



HORIZONTAL STIFFNESS DATA:

- PART NR: 10-IM-2500-C-40 Shore > Longitudnal Stiffness = 2425 N/mm > Transverse Stiffness = 620 N/mm
Kd-yn/Kst = 1.10 > Dyn. magn = 19
- PART NR: 10-IM-2500-C-50 Shore > Longitudnal Stiffness = 3210 N/mm > Transverse Stiffness = 820 N/mm
Kd-yn/Kst = 1.15 > Dyn. magn = 17
- PART NR: 10-IM-2500-C-60 Shore > Longitudnal Stiffness = 7100 N/mm > Transverse Stiffness = 1725 N/mm
Kd-yn/Kst = 1.25 > Dyn. magn = 14
- PART NR: 10-IM-2500-C-70 Shore > Longitudnal Stiffness = 9975 N/mm > Transverse Stiffness = 2415 N/mm
Kd-yn/Kst = 1.40 > Dyn. magn = 11