

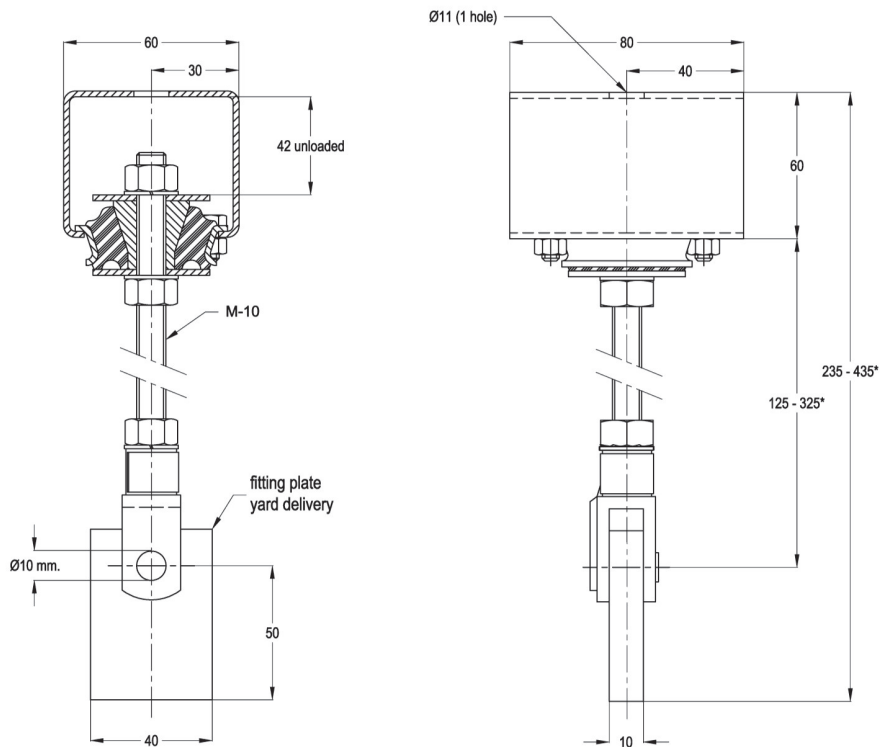
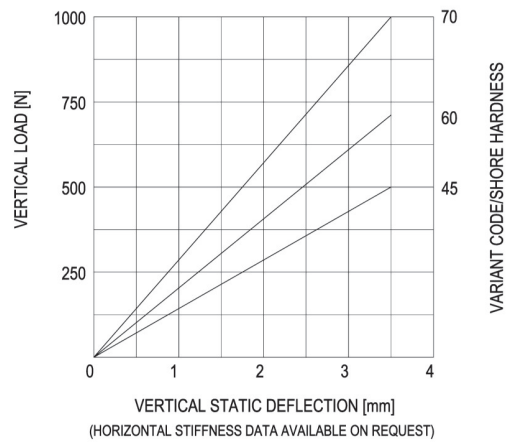
20-HSA-100-A

Max. 100 kg - 4 mm - 8 Hz



HSA-type Flexible Stabilizers are used to isolate and stabilize suspended pipe sections. Stabilizers can be applied in both horizontal and vertical direction and feature protection against complete loss of support in the event of mechanical or fire damage. Customers are recommended to contact our application engineers for further technical information on products and applications.

Applications: supporting and stabilizing pipe sections and exhaust systems.



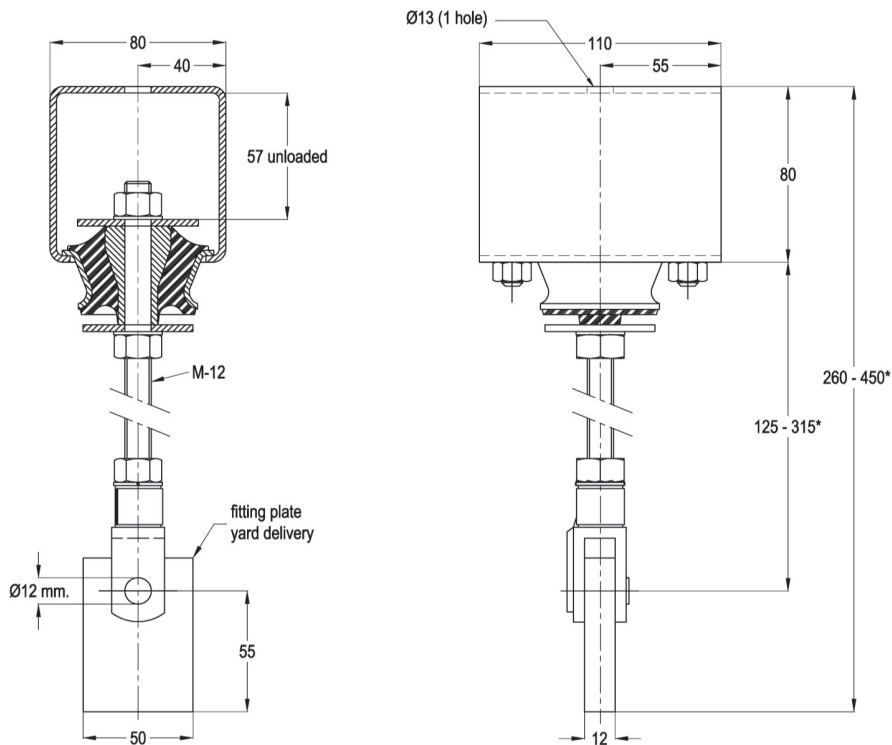
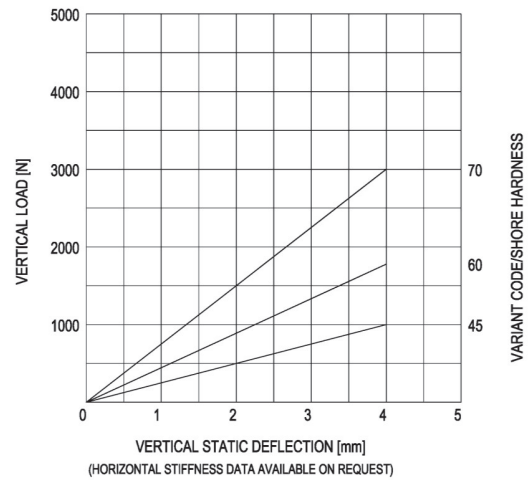
20-HSA-400-A

Max. 300 kg - 5 mm - 7 Hz



HSA-type Flexible Stabilizers are used to isolate and stabilize suspended pipe sections. Stabilizers can be applied in both horizontal and vertical direction and feature protection against complete loss of support in the event of mechanical or fire damage. Customers are recommended to contact our application engineers for further technical information on products and applications.

Applications: supporting and stabilizing pipe sections and exhaust systems.



20-HSA-500-A

Max. 500 kg - 5 mm - 7 Hz



HSA-type Flexible Stabilizers are used to isolate and stabilize suspended pipe sections. Stabilizers can be applied in both horizontal and vertical direction and feature protection against complete loss of support in the event of mechanical or fire damage. Customers are recommended to contact our application engineers for further technical information on products and applications.

Applications: supporting and stabilizing pipe sections and exhaust systems.

