

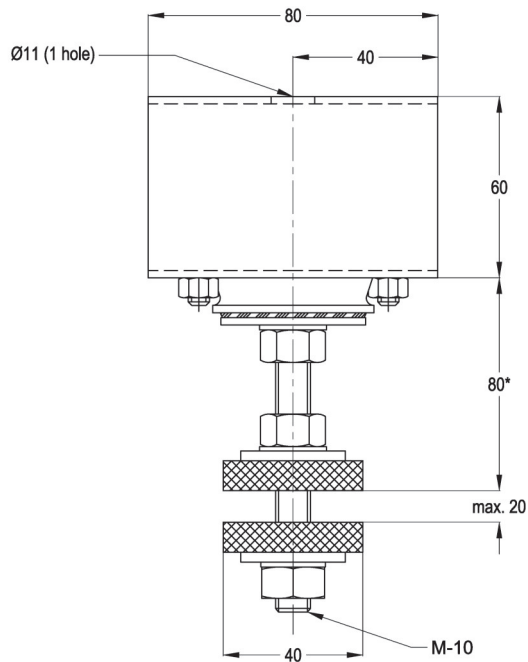
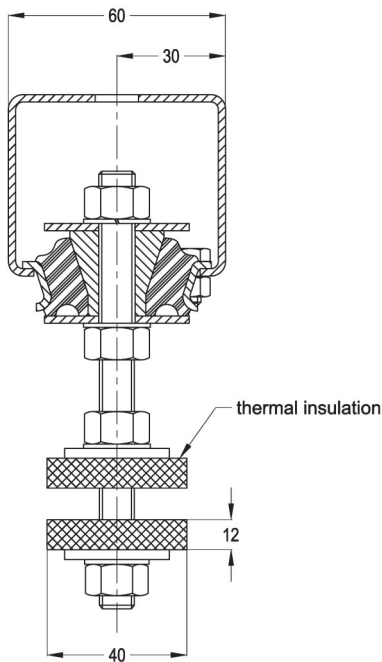
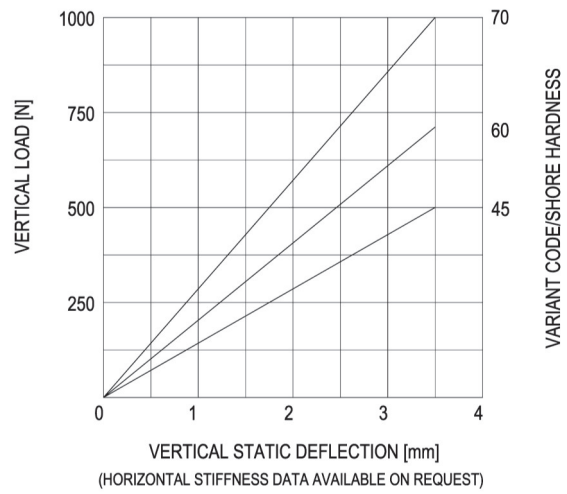
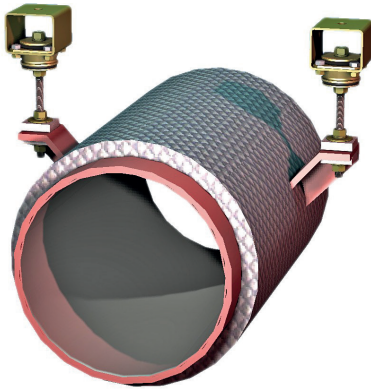
# 20-HFA-100-A

Max. 100 kg - 4 mm - 8 Hz



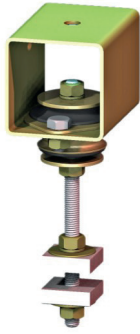
HFA-type Flexible Fixed Points are used to support both pipe sections and exhaust silencers and are fitted with thermal insulating plates for heat protection. These elements are easy to fit and feature protection against complete loss of support in the event of mechanical or fire damage. Customers are recommended to contact our application engineers for further technical information on products and applications.

Applications: supporting pipe sections and exhaust silencers.



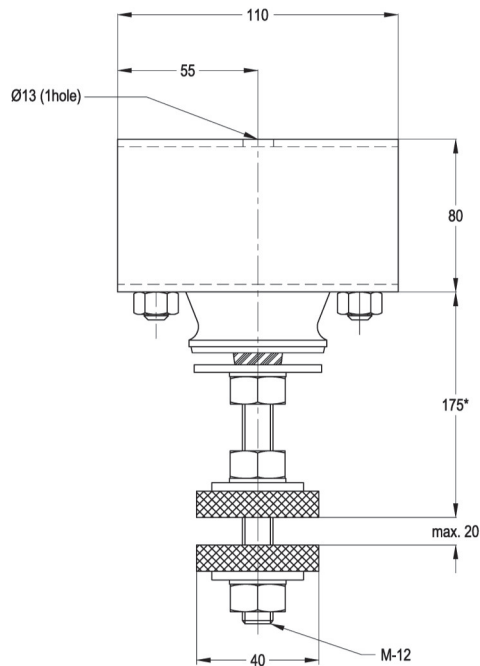
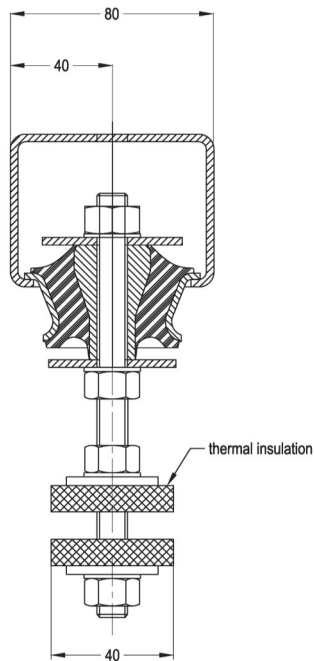
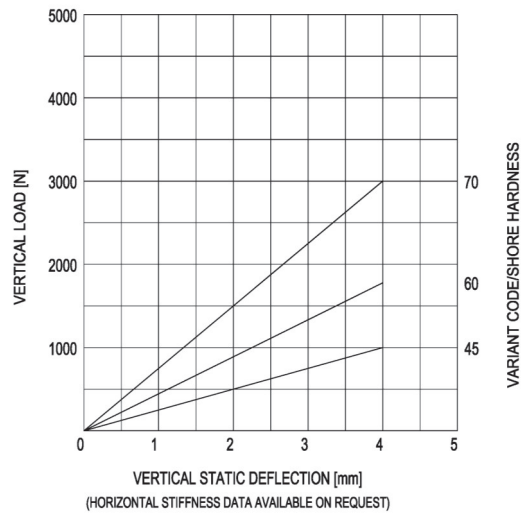
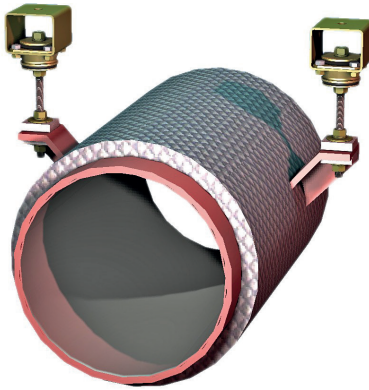
# 20-HFA-300-A

Max. 300 kg - 5 mm - 7 Hz



HFA-type Flexible Fixed Points are used to support both pipe sections and exhaust silencers and are fitted with thermal insulating plates for heat protection. These elements are easy to fit and feature protection against complete loss of support in the event of mechanical or fire damage. Customers are recommended to contact our application engineers for further technical information on products and applications.

Applications: supporting pipe sections and exhaust silencers.



# 20-HFA-500-A

Max. 500 kg - 5 mm - 7 Hz



HFA-type Flexible Fixed Points are used to support both pipe sections and exhaust silencers and are fitted with thermal insulating plates for heat protection. These elements are easy to fit and feature protection against complete loss of support in the event of mechanical or fire damage. Customers are recommended to contact our application engineers for further technical information on products and applications.

Applications: supporting pipe sections and exhaust silencers.

