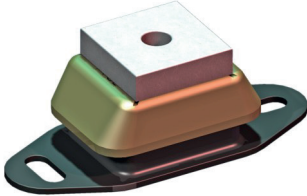


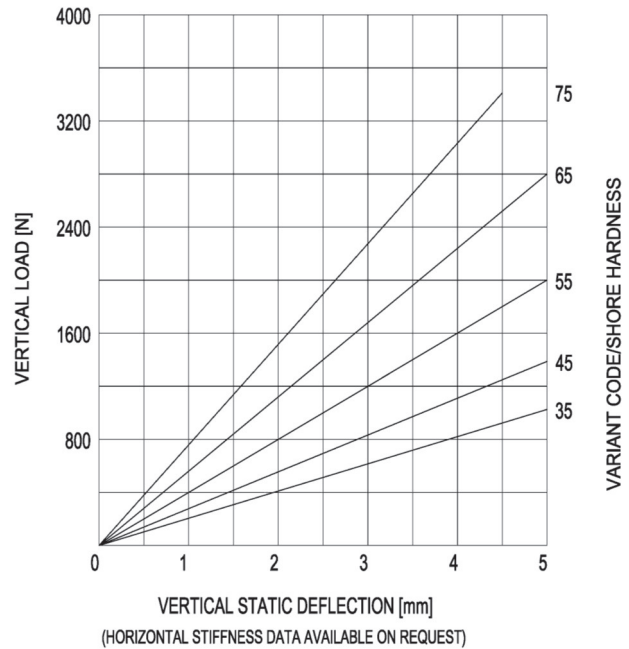
20-FFP-1

Max. 350 kg - 5 mm - 7 Hz

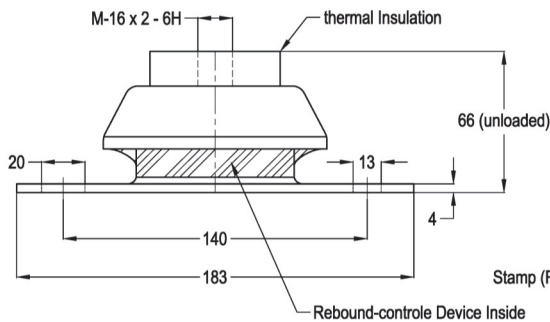


FFP-type Flexible Fixed Points are used to support both vertical pipe sections and exhaust silencers. They are fitted with a thermal insulating plate for heat protection and feature protection against complete loss of support in the event of mechanical or fire damage. FFP-1 elements are also available with M12 inner thread and in SS-316 stainless steel. Customers are recommended to contact our application engineers for further technical information on products and applications.

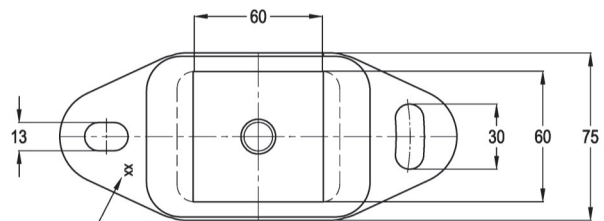
Applications: supporting and stabilizing pipe sections and exhaust systems.



SIDEVIEW

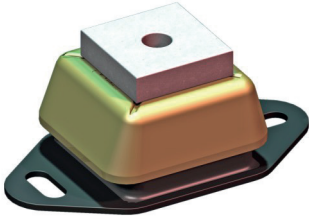


TOPVIEW



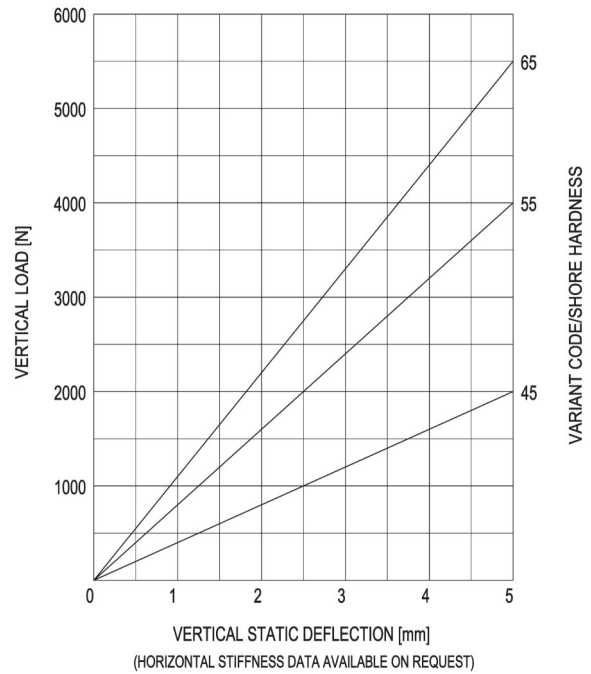
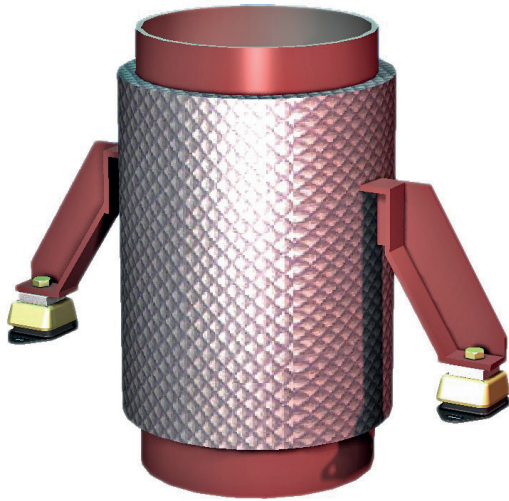
20-FFP-2

Max. 550 kg - 5 mm - 7 Hz

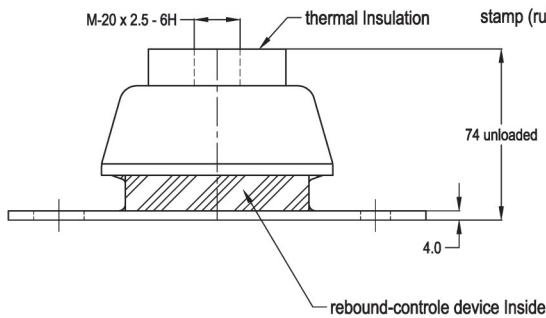


FFP-type Flexible Fixed Points are used to support both vertical pipe sections and exhaust silencers. They are fitted with a thermal insulating plate for heat protection and feature protection against complete loss of support in the event of mechanical or fire damage. FFP-2 elements are also available with M16 and M12 inner thread. Customers are recommended to contact our application engineers for further technical information on products and applications.

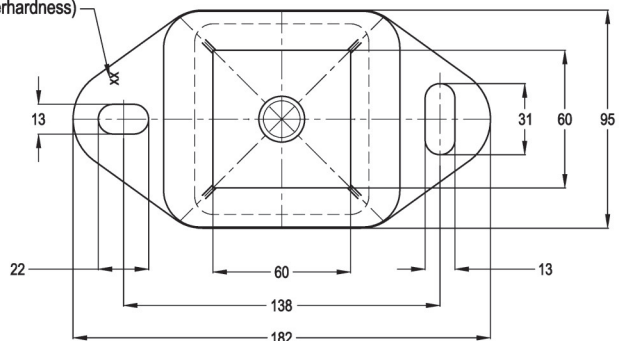
Applications: supporting and stabilizing pipe sections and exhaust systems.



SIDEVIEW



TOP-VIEW



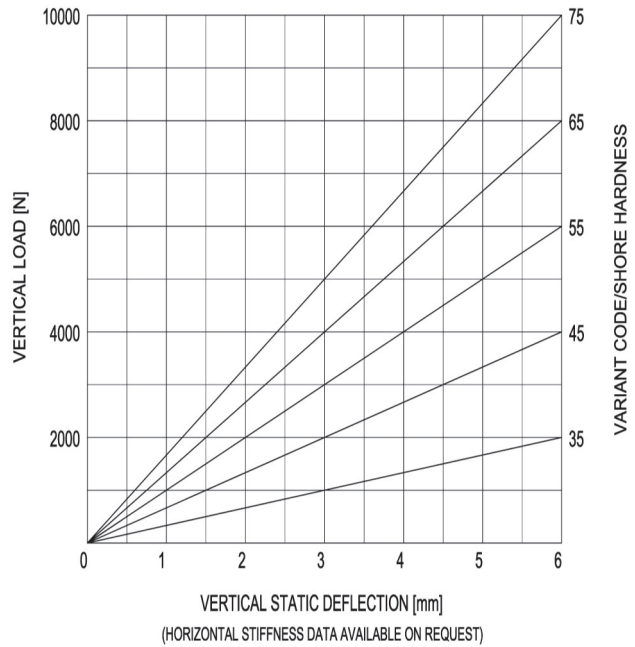
20-FFP-3

Max. 1000 kg - 6 mm - 6.5 Hz

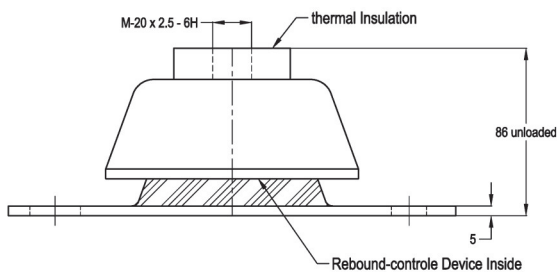


FFP-type Flexible Fixed Points are used to support both vertical pipe sections and exhaust silencers. They are fitted with a thermal insulating plate for heat protection and feature protection against complete loss of support in the event of mechanical or fire damage. FFP-3 elements are also available with M16 inner thread. Customers are recommended to contact our application engineers for further technical information on products and applications.

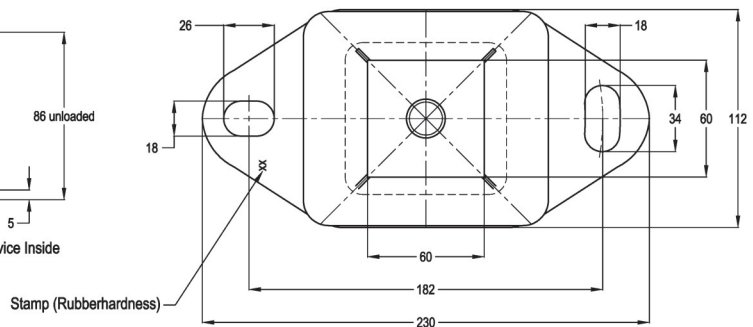
Applications: supporting and stabilizing pipe sections and exhaust systems.



SIDEVIEW



TOPVIEW



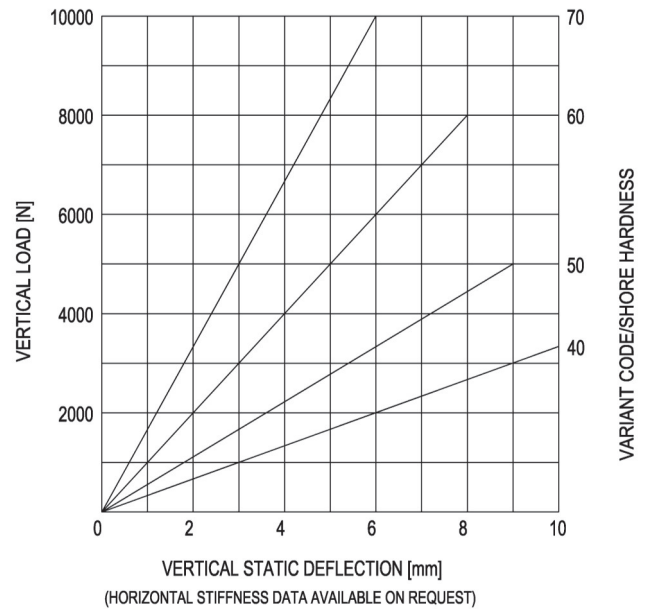
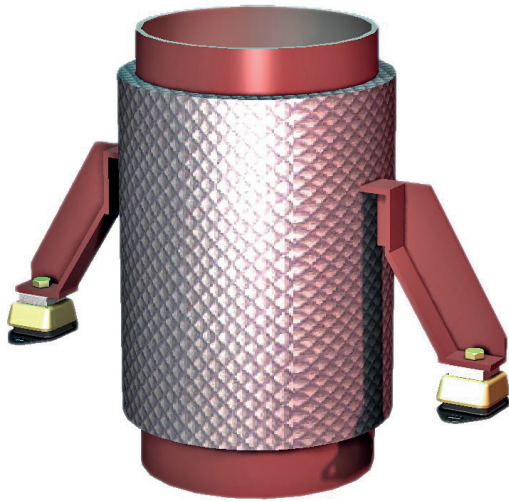
20-FFP-4

Max. 1000 kg - 10 mm - 5 Hz

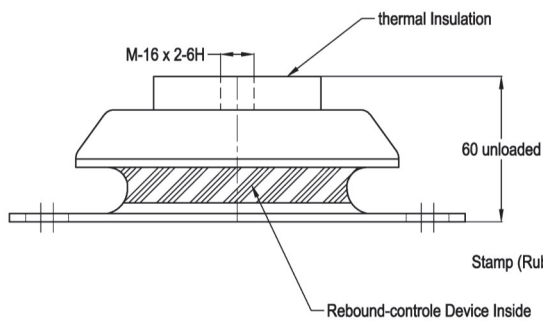


FFP-type Flexible Fixed Points are used to support both vertical pipe sections and exhaust silencers. They are fitted with a thermal insulating plate for heat protection and feature protection against complete loss of support in the event of mechanical or fire damage. FFP-4 elements are also available with M20 and M12 inner thread. Customers are recommended to contact our application engineers for further technical information on products and applications.

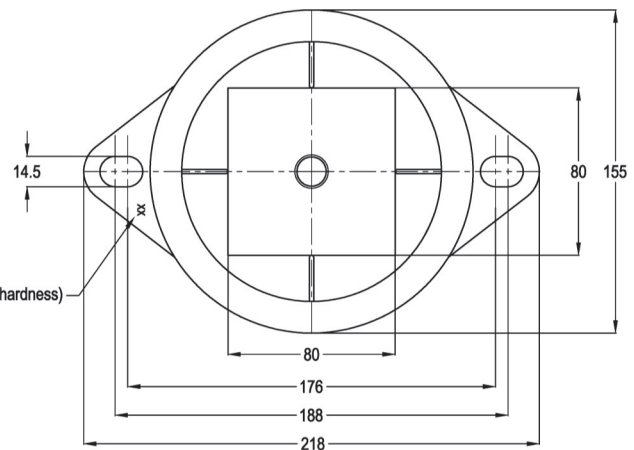
Applications: supporting and stabilizing pipe sections and exhaust systems.



SIDE-VIEW

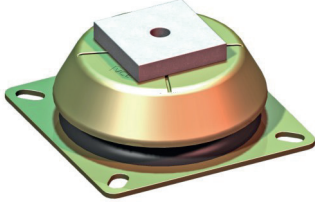


TOP-VIEW



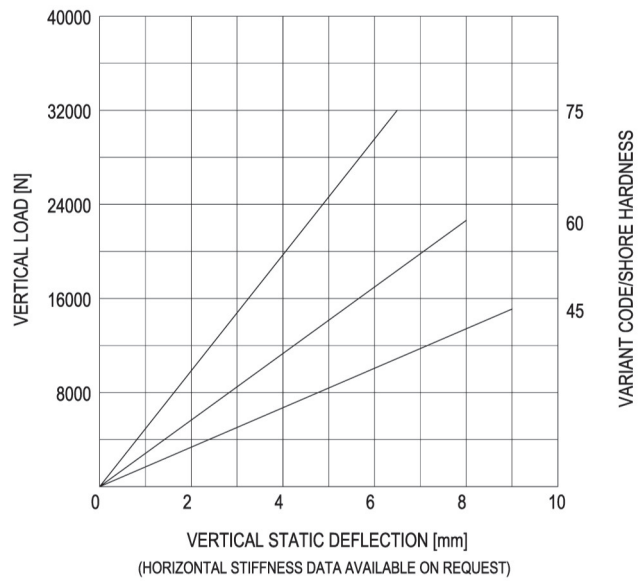
20-FFP-5

Max. 3000 kg - 8 mm - 5.5 Hz

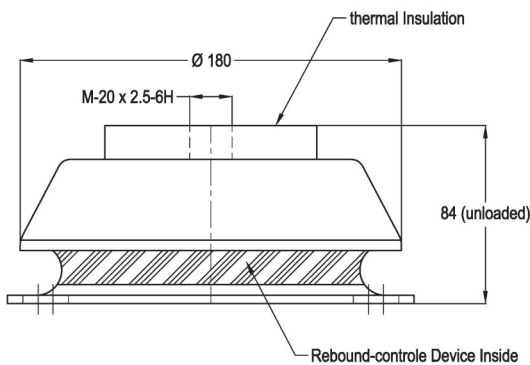


FFP-type Flexible Fixed Points are used to support both vertical pipe sections and exhaust silencers. They are fitted with a thermal insulating plate for heat protection and feature protection against complete loss of support in the event of mechanical or fire damage. FFP-5 elements are also available with M16 inner thread. Customers are recommended to contact our application engineers for further technical information on products and applications.

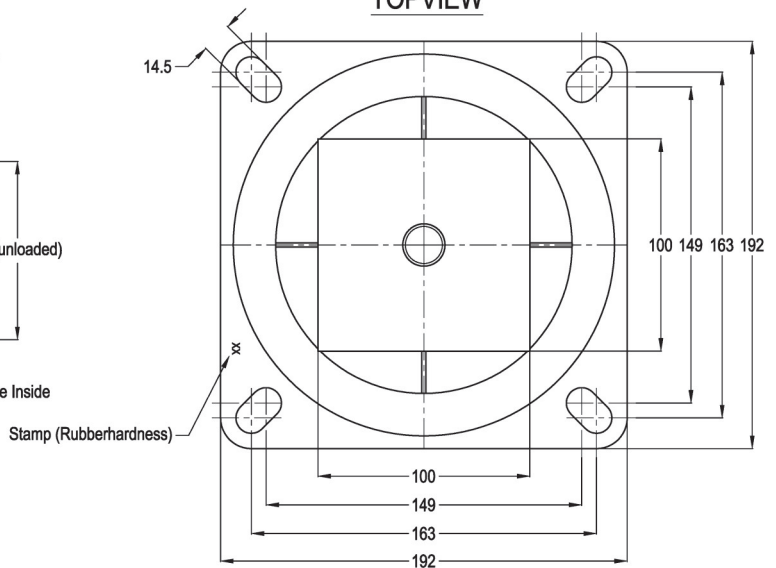
Applications: supporting and stabilizing pipe sections and exhaust systems.



SIDE-VIEW

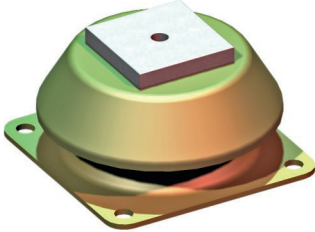


TOPVIEW



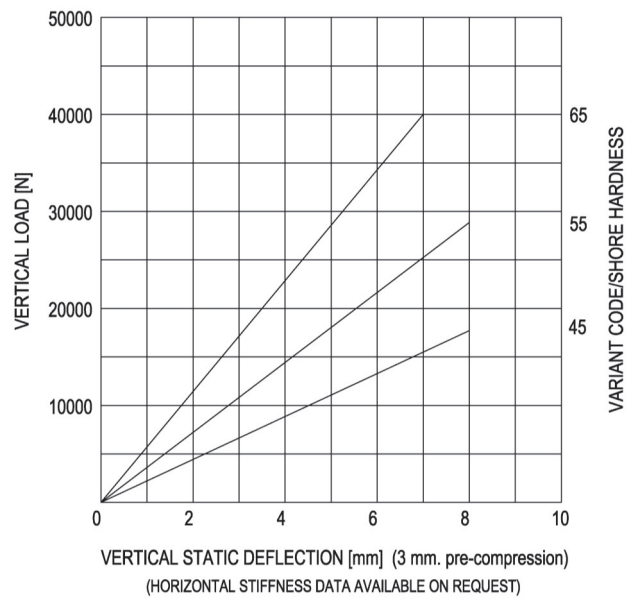
20-FFP-6

Max. 4000 kg - 8 mm - 5.5 Hz

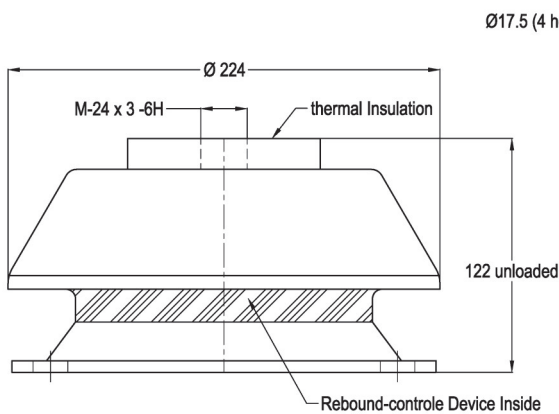


FFP-type Flexible Fixed Points are used to support both vertical pipe sections and exhaust silencers. They are fitted with a thermal insulating plate for heat protection and feature protection against complete loss of support in the event of mechanical or fire damage. Customers are recommended to contact our application engineers for further technical information on products and applications.

Applications: supporting and stabilizing pipe sections and exhaust systems.



SIDE-VIEW



TOPVIEW

